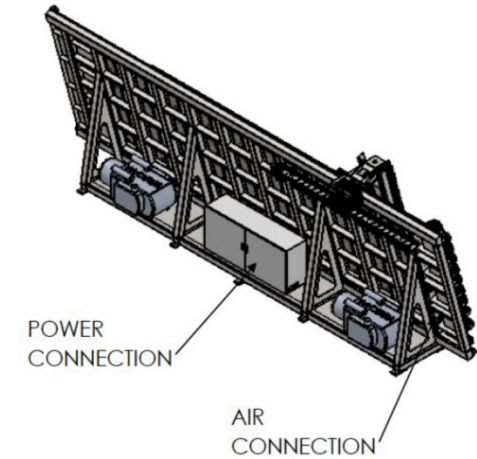
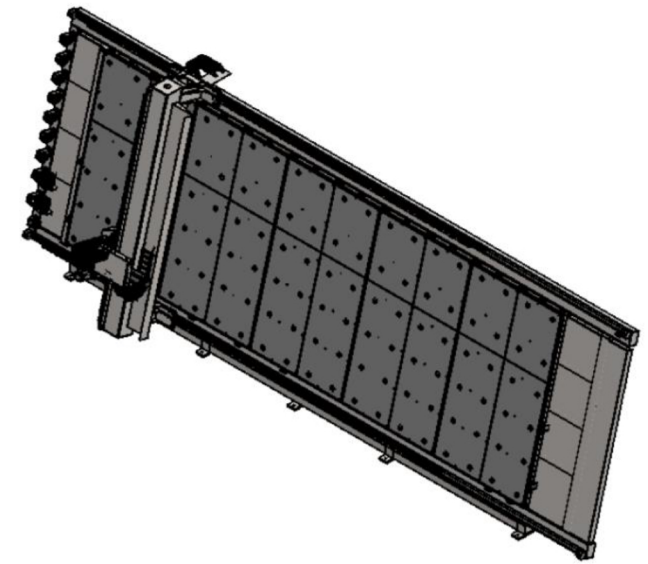
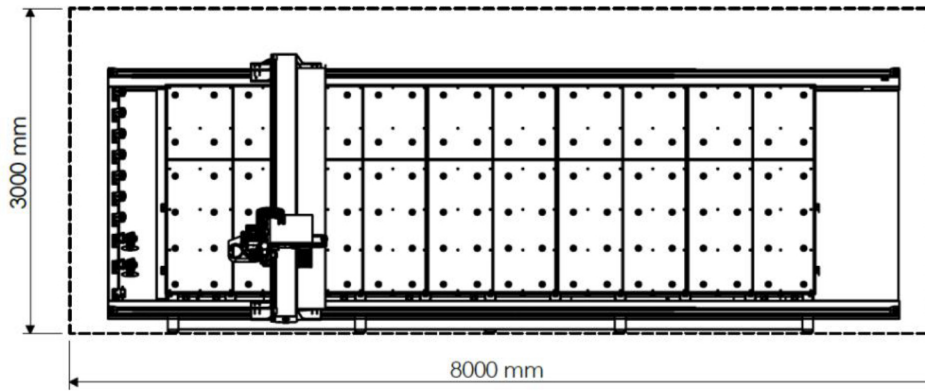
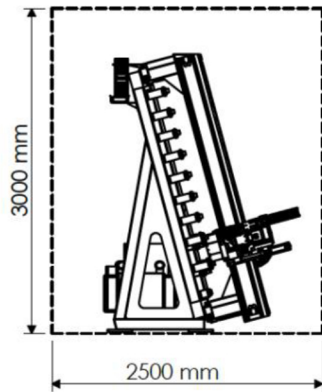
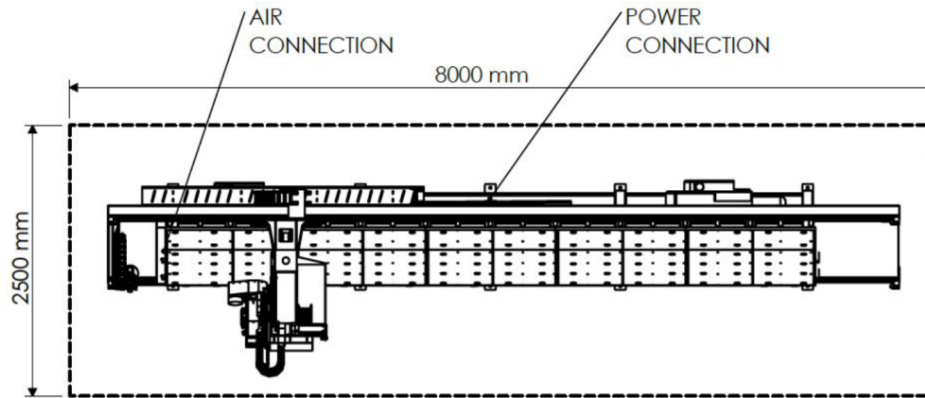


- Total Power: 28 KW
- Voltage: 400 V
- Frequency: 50 Hz
- Cable: 5 x 6 mm<sup>2</sup>

- Air Pressure: 6-9 Bar
- Air Flow Rate: 100 L/min
- Air Hose Dia. : Ø8mm

- Total weight: 3500 kg



**MIKON**  
MACHINERY

[www.mikonmachinery.com](http://www.mikonmachinery.com)