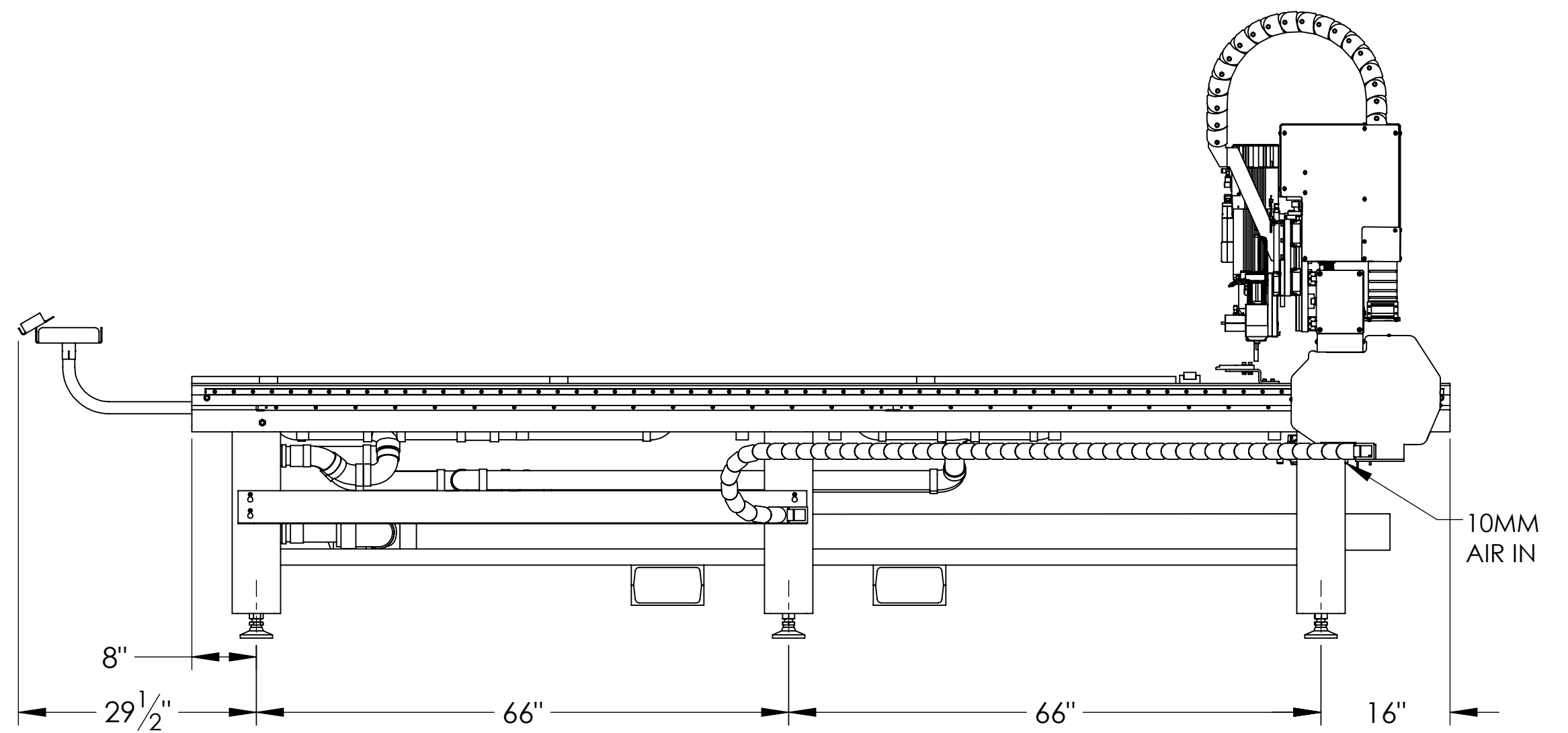
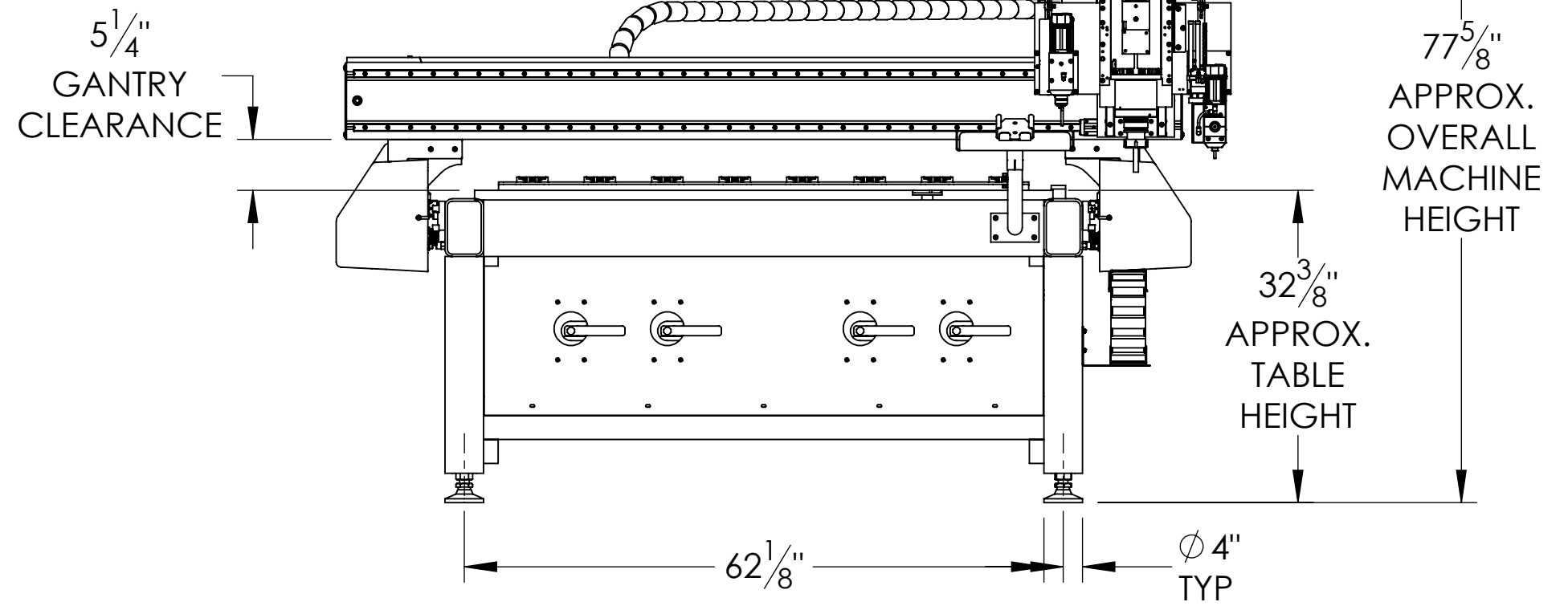
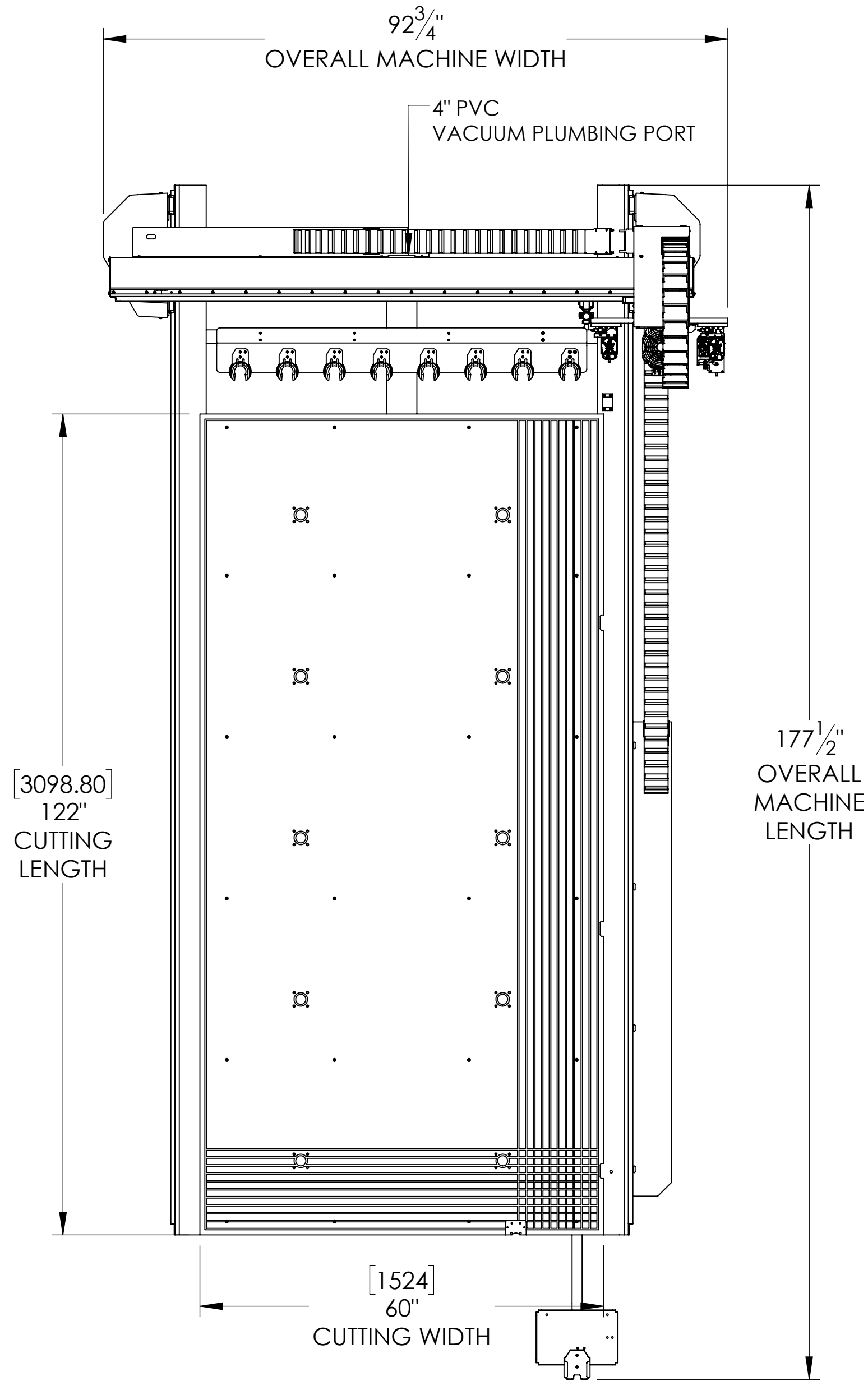


PARTIAL TABLE GRID SHOWN

ESTIMATED WEIGHT: 2200 LBS  
MIN. DOORWAY WIDTH: 88"



DESCRIPTION	REV	DATE	BY

APPROVALS	DATE
DESIGN: MJJ	12/5/2017
DRAWN: MJJ	12/5/2017
CHECKED: GAM	12/5/2017
APPROVED:	

UNLESS OTHERWISE SPECIFIED  
DIMENSIONS ARE IN INCHES

DECIMALS X.X = ±0.030  
X.XX = ±0.010  
X.XXX = ±0.005  
FRACTIONS ±1/32

ANGLE X.X = ±1.0°  
X.XX = ±0.5°  
X.XXX = ±0.25°

MATERIAL  
SEE BOM

**MultiCam**  
WWW.MULTICAM.COM

THE INFORMATION CONTAINED IN THIS DRAWING IS THE SOLE PROPERTY OF MULTICAM. ANY REPRODUCTION IN PART OR WHOLE WITHOUT THE WRITTEN PERMISSION OF MULTICAM IS PROHIBITED.

1-204 KNIFE APEX 1R LAYOUT

FINISH: NONE  
DO NOT SCALE DRAWING

SIZE: PART NO. C 1-204 KNIFE APEX 1R LAYOUT  
SCALE: 1:16 CAD FILE: 1-204 KNIFE APEX 1R LAYOUT

REV: -  
SHEET 1 OF 1